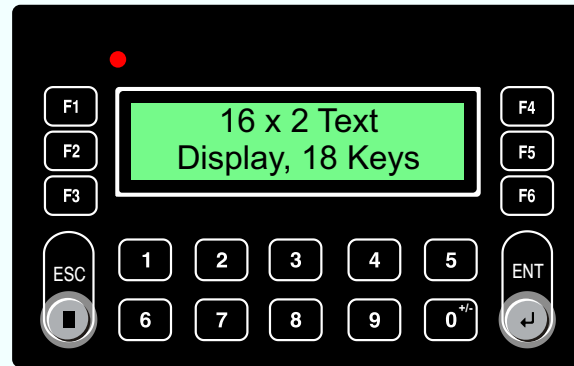
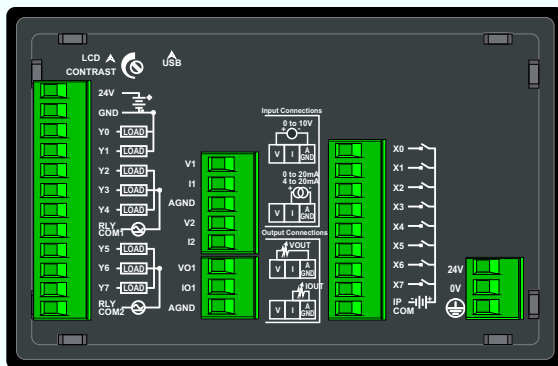


FP2020 with Built-in IO

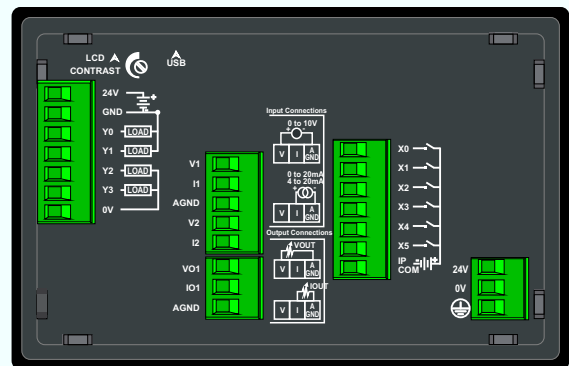


FP2020-L0808RP-A0401L



Back View

FP2020-L0604P-A0401L



Back View

Salient Features

- ✓ 16 x 2 text display with multicolor LED backlight
- ✓ 18 keys (6 Function Keys)
- ✓ One USB programming port
- ✓ 24 VDC Power Supply
- ✓ DC inputs, DC Outputs
- ✓ Analog Inputs (Voltage, Current)
- ✓ Analog Output (Voltage, Current)
- ✓ Support for High Speed Counters (Up-to 200 KHz)
- ✓ High Speed Pulse Output up-to 10 KHz
- ✓ IEC61131-3 Programming environment
- ✓ CE, UL Class I Div 2, RoHS

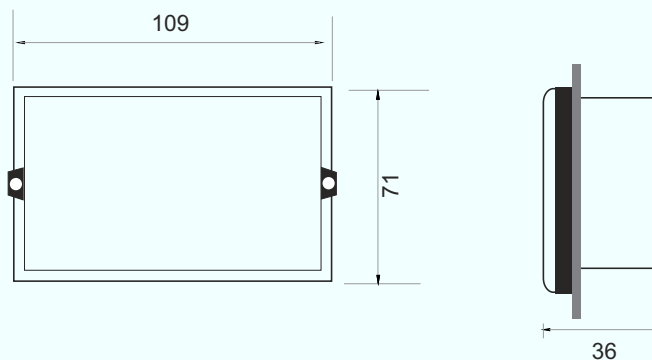
Model Comparison

Models	FP2020-L0808RP-A0401L	FP2020-L0808P-A0401L	FP2020-L0604P-A0401L
Display	16 X 2 Text Display		
Backlight	LED Backlight		
CPU	32-bit RISC processor		
Memory	Up to 512KB		
Screen Memory	Up to 180KB		
Retentive Memory	1400 Words*		
USB Device	One USB programming port for upload/download and monitoring		
Power Supply	Power 24VDC (-15% to +20%)		
DC Inputs	8 (Sinking)	8 (Sinking)	6 (Sinking)
High Speed Inputs	2, 32-bit, 200KHz	2, 32-bit, 200KHz	2, 32-bit, 200KHz
DC Outputs	6 Relay 2 PNP	8 PNP	4 PNP
High Speed Pulse Outputs	2, Up-to 10KHz		
Analog Inputs	2 Voltage I/Ps (16 bit), 0 to 10 VDC, 0 to 5 VDC 2 Current I/Ps (16 bit), 0 to 20 mA, 4 to 20 mA		
Analog Outputs	1 Voltage / Current O/P (12 bit) 0 to 20mA, 4 to 20 mA, 0 to 10 VDC		
Operating Temperature	0 to 50 °C		
Storage Temperature	-20 to 80 °C		
Humidity	10 to 95% non condensing		
Mounting	Front Panel Mounting, IP66 rated		
Approvals	CE, UL (Class I Div 2)		
Bezel Dimensions	109mm x 71mm (Drawing A)		
Panel Cutout	99.5mm x 62.5mm (Drawing A)		

* Built-in EEPROM is used. The write cycle is 30,000.

Dimensions

Drawing A



All dimensions are in mm.
Please contact factory for more information. We welcome an opportunity to develop new, custom drivers and customized units.



HEAD OFFICE

Survey No. 2/6, Baner Road, Pune - 411045, India.
Tel : +91 20 2729 2840 Fax : +91 20 2729 2839
Email : info@renuelectronics.com
Website: www.renuelectronics.com

An ISO 9001:2008 and ISO 14001:2004 certified company